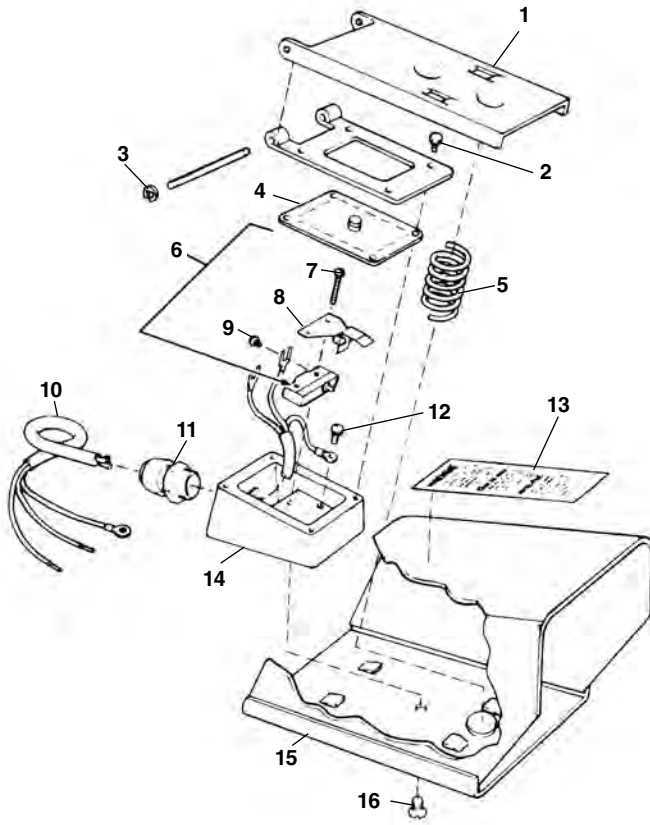


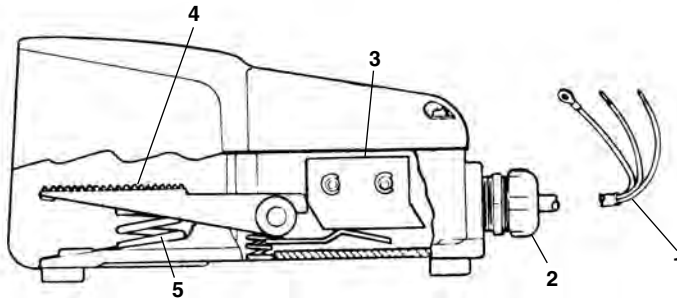
B-293
B-436



**NOTE: Order parts by Catalog Number only.
DO NOT order by Reference Number.**

Ref. No.	Catalog No.	Description
1	83565	C-546 Foot Pedal
2	83625	E-3084 Screw (4)
3	78780	E-3562 Ret. Ring (2)
4	83590	E-3050 Diaphragm w/Gasket
5	83615	E-3051 Spring
7	83585	E-2988X Micro Switch
8	83595	E-3060 Screw (2)
9	83575	E-3031 Actuator Assembly
10	46310	Screw #6 - 32 x 3/16" (2)
11	68880	D-620 Cord (B-293)
	83605	D-1297 Cord (B-436)
12	68885	E-1511 Cord Connector (B-293)
	36732	E-2668 Cord Connector (B-436)
13	45420	E-3467 Screw
14	85940	E-2220 Warning Label (B-293)
		E-3173 Warning Label (B-436)
15	85935	C-532 Housing
16	83560	B-345 Housing Cover
17	83610	E-3095 Screw

E-2497
301



Ref. No.	Catalog No.	Description
1	68880	D-620 Cord (E-2497)
	83600	D-1221 Cord (301)
2	68885	E-1511 Connector (E-2497)
	85565	E-2668 Connector (301)
3	83940	E-2900 Micro Switch
4	83945	E-2901 Treadle
5	83950	E-3349 Spring